

auto electrical parts

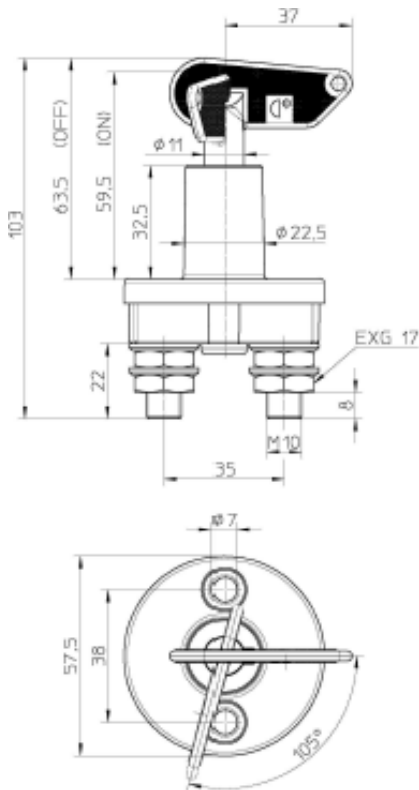
Technical Information Sheet

Part No. 0-605-13

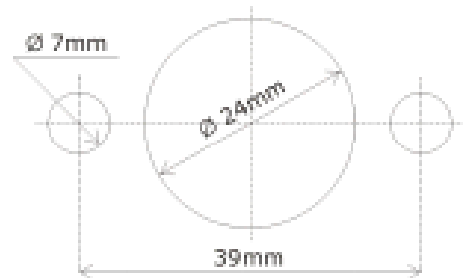
Durite's Single Pole Single Throw On/Off Isolater with removable handle. Used for isolating vehicle battery's. 24VDC Max. 75A Continuous. 200A Max for 5 Seconds. M10 Terminals. Copper Contacts. Connections not polarized. Protected to IP67.



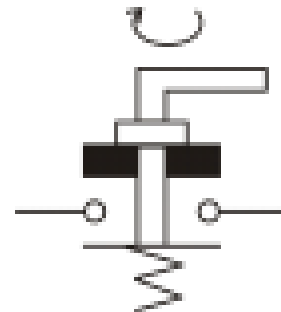
Technical Drawing (not to scale)



Fixing Diagram



Connection Diagram



Specification

Volts	24 VDC Max
Amps	75A Continuous. 200A Max for 5 Seconds
Type	D1 Normally Open
Studs	2 x M10
Stud Tightening Torque	20Nm
Contacts	Copper
Connections	Not Polarized
Protection	IP67
Weight	0.152Kg
Operating Temperature	-40C - +85C
Certificate	n/a
Dimensions	Please see above (dimensions in mm)

The information contained in this document is correct to the best of our knowledge at the time of printing. However, specifications may change at any time without notice.